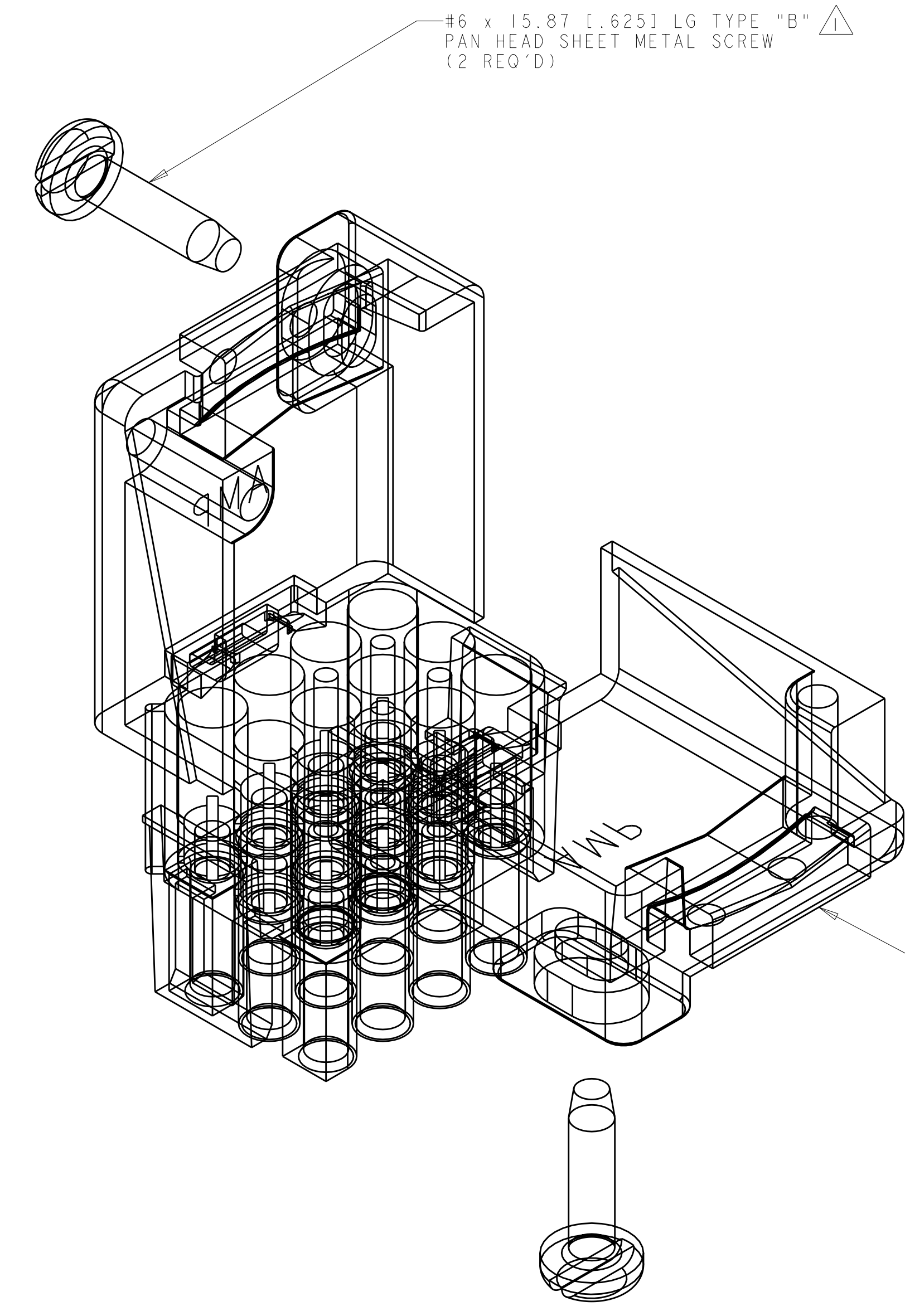
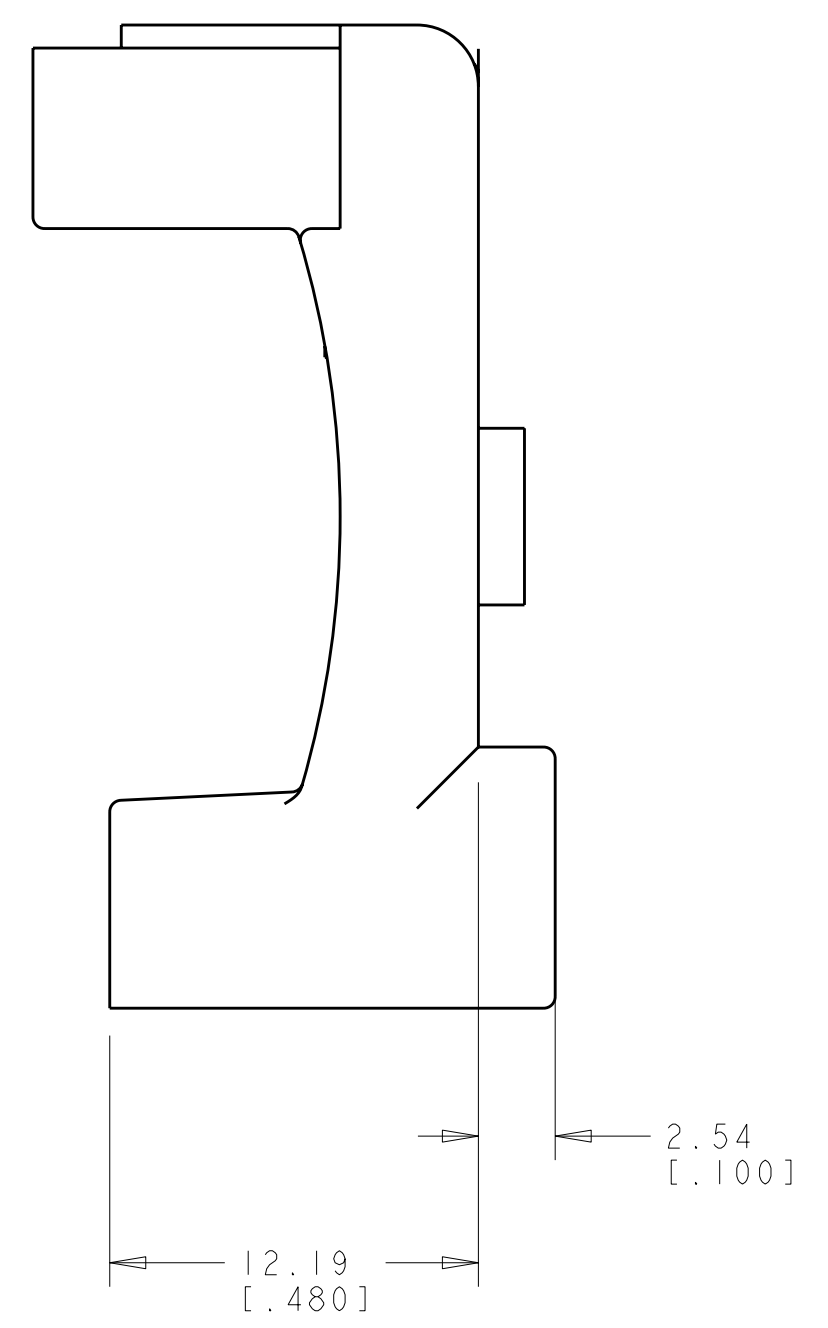
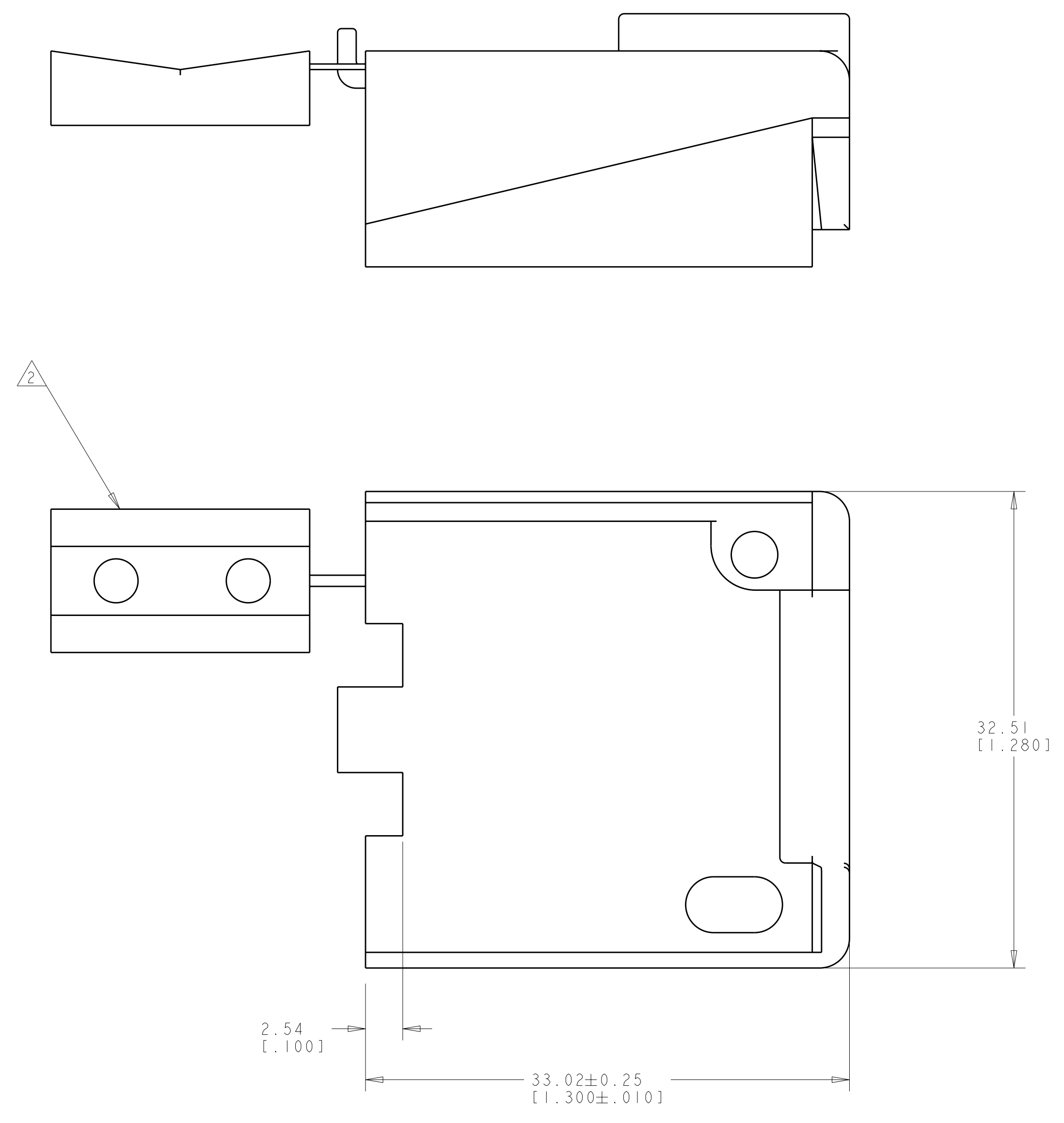


LOC	DIST	REV	DATE	BY	APP'D
CM	00	C1	28AUG2006	KW	SR

- △ SHEET METAL SCREWS NOT SUPPLIED.
- △ INSERT IS ATTACHED TO STRAIN RELIEF AS AN ADDITIONAL ADJUSTMENT FOR SMALL WIRE BUNDLES. IT SHOULD BE CUT OFF AND POSITIONED AS SHOWN.
- △ TWO REQUIRED PER CONNECTOR.
- 4. DETACHABLE INSERT MAY SEPARATE FROM STRAIN RELIEF BODY DURING SHIPPING.



	WIRE BUNDLE DIAMETER
WITHOUT INSERT	19.05 [.750] MAX
WITH INSERT	3.81 [.150] MAX

COLOR	MATERIAL	PART NUMBER
BLACK	NYLON UL94V-0	640717-2 △3
NATURAL	NYLON UL94V-0	640717-1 △3



DIMENSIONS: mm [INCHES] TOLERANCES UNLESS OTHERWISE SPECIFIED: 9 PLC ± 5 PLC ±0.13 [1.005] 4 PLC ± ANGLES ±40° 30' FINISH -		DWN: R. WHITAKER 28AUG2006 CHK: S. RIDGILL 28AUG2006 APVD: S. RIDGILL 28AUG2006 PRODUCT SPEC APPLICATION SPEC WEIGHT - CUSTOMER DRAWING	Tyco Electronics Harrisburg, PA 17105-3608 NAME: STRAIN RELIEF AND INSERT, 12 CIRCUIT, UNIVERSAL MATE-N-LOK(TM) SIZE: A1 CAGE CODE: 00779 DRAWING NO: C-640717 SCALE: 4:1 SHEET: 1 OF 1 REV: C1
---	--	---	---